



CORRIDOR SV™ 7128

2 BAY CONSOLE



Product Registration

Registering your new BDI product allows us to send you important product updates, service information and helpful hints related to your BDI products. Register today, and you will be entered to win free a BINK table from BDI: www.bdiusa.com/register

bdiusa.com
customerservice@bdiusa.com

Placement and Maintenance

Your Corridor Console is designed for indoor use on level floors. Clean wood veneer and steel parts with a moist cloth.

Corridor is engineered for easy assembly. Carefully follow this procedure to prevent any damage. Do not use power tools for assembly of this product.

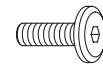
Step 1 Unpack and identify the parts listed below. The assembly workspace should be a non-marring surface such as carpet. For missing hardware pieces, contact BDI Customer Service at: customerservice@bdiusa.com. For all other concerns, please contact your BDI retailer.



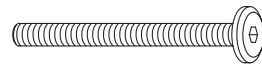
T1 Phillips Screwdriver x 1



T2 Hex Wrench x 1



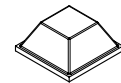
H1 1/4-20 x 15 mm Machine Screw x 8



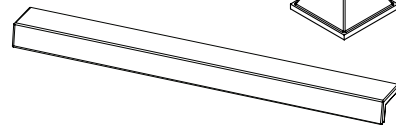
H2 1/4-20 x 63 mm Machine Screw x 6



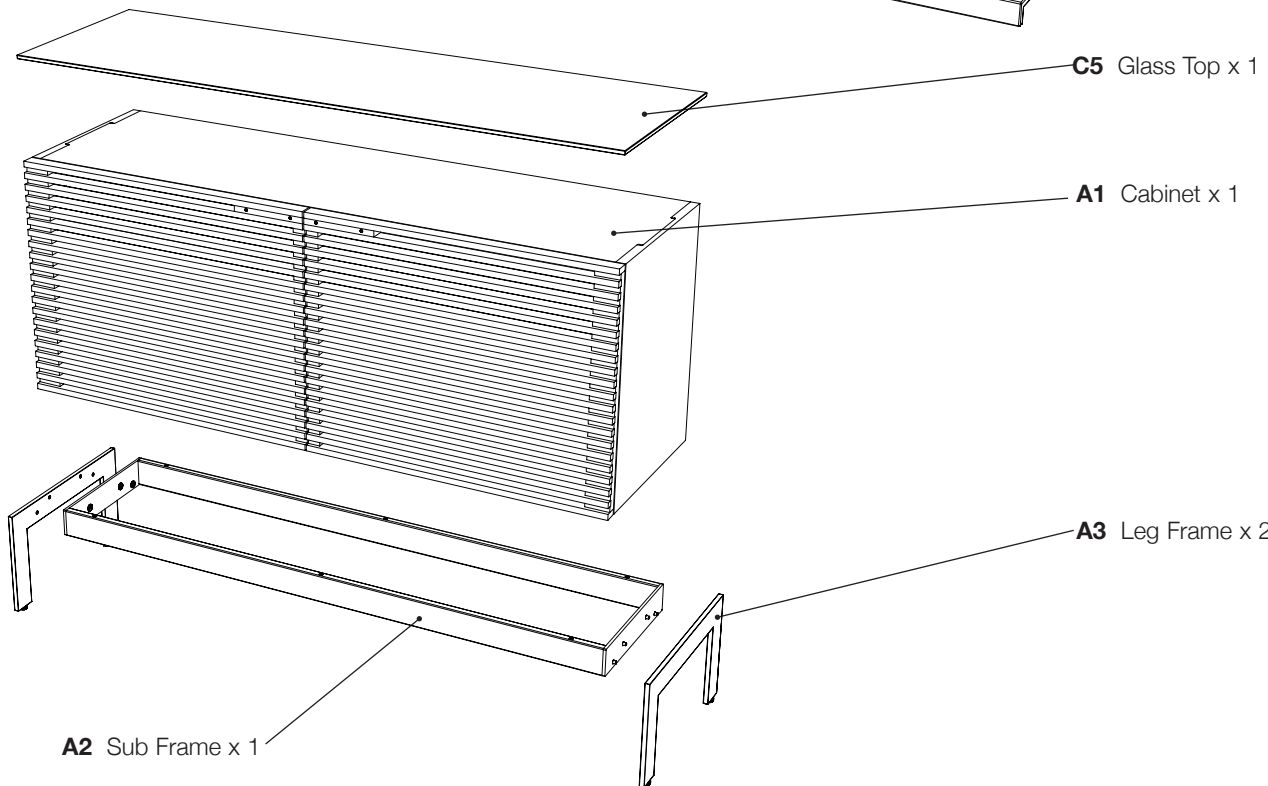
H3 M4 x 35 mm Machine Screw x 4



H4 Rubber Bumper x 6



H5 Door Pull x 2



C5 Glass Top x 1

A1 Cabinet x 1

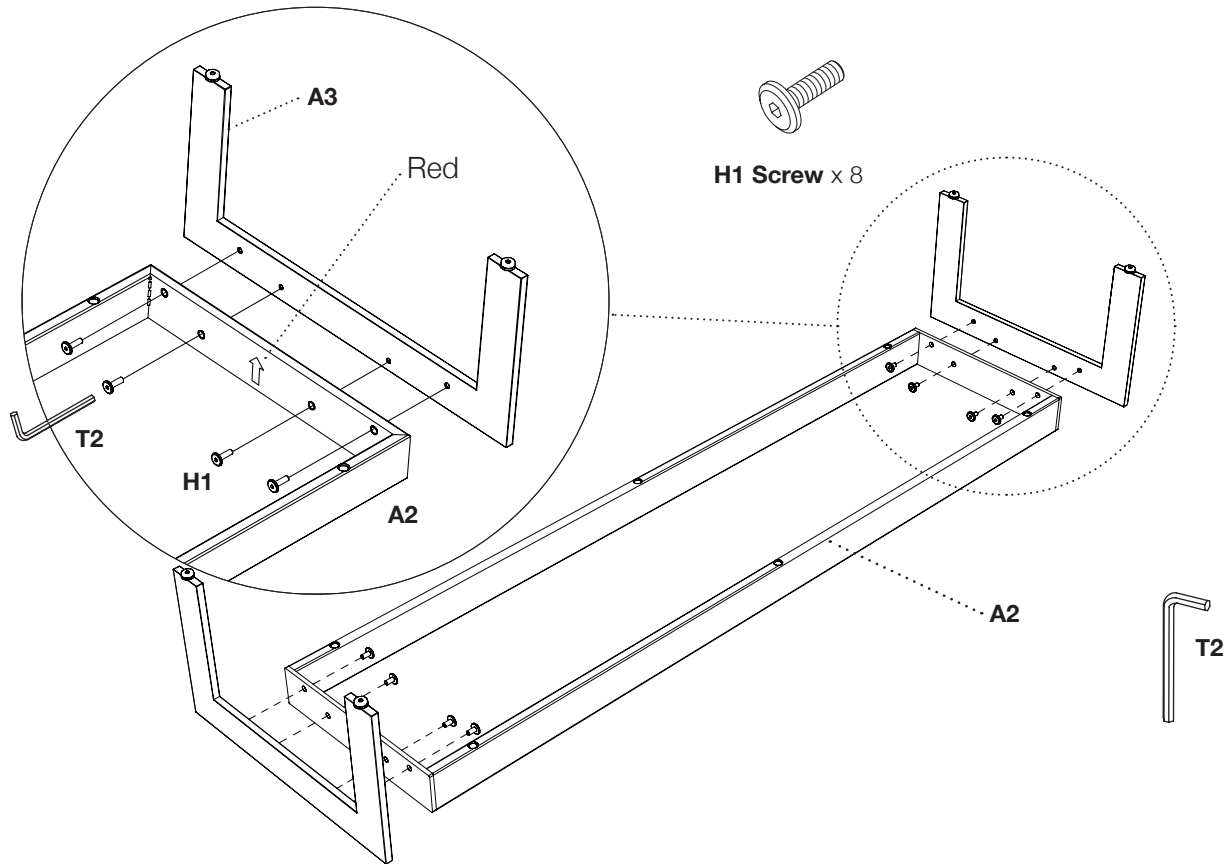
A3 Leg Frame x 2

A2 Sub Frame x 1

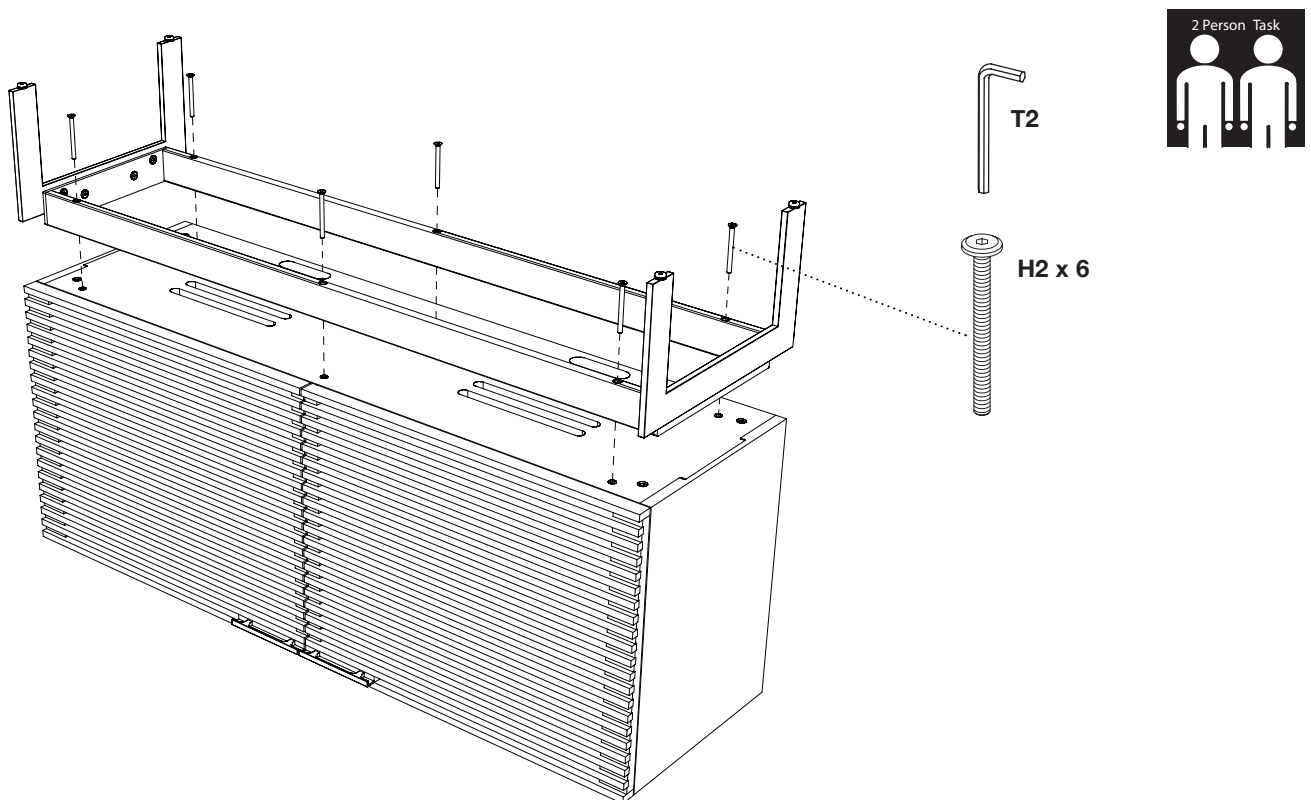
Designed by Matthew Weatherly.

These distinctive product configurations are protected by US and international patents, trade dress, and/or copyright laws. Corridor & BDI are trademarks of Becker Designed, Inc. All rights reserved. ©2017, BDI Made in China. 10.05.2017 V1

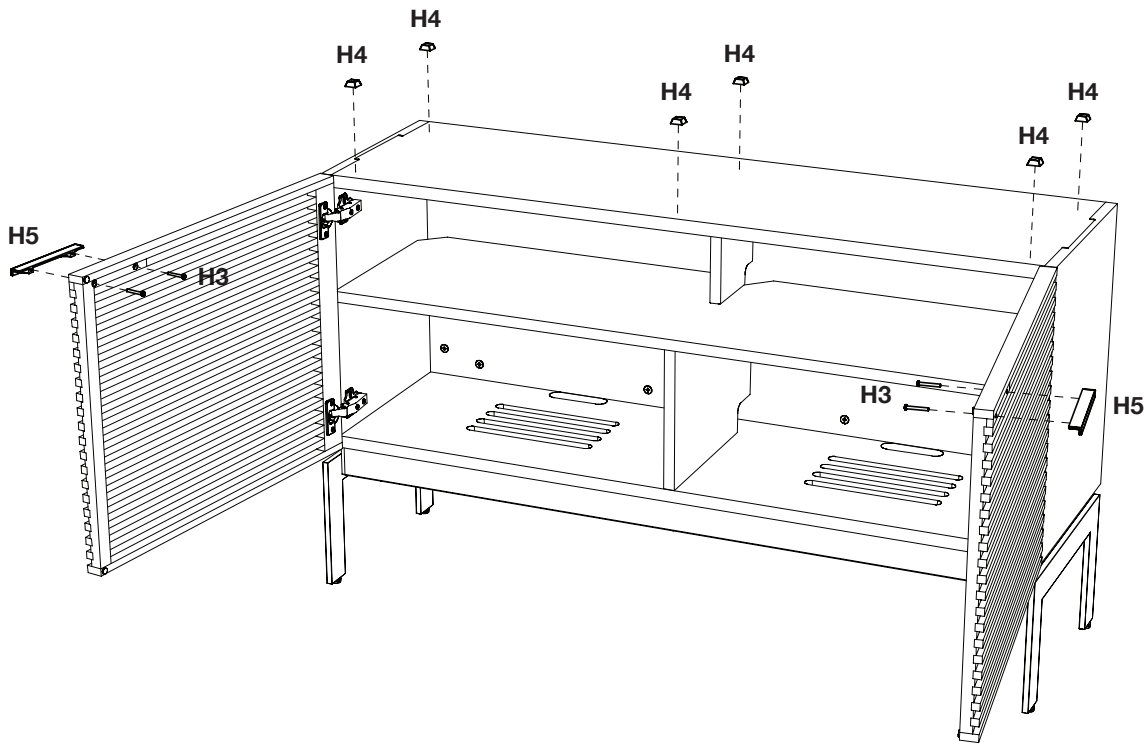
Step 2 - Attach the **2 Leg frames A3** to **Sub-frame A2** with **8 Screws H1** using **Hex wrench T2**. Make sure the red arrow on the **sub-frame** faces the same direction as the direction of the **leg frames**.



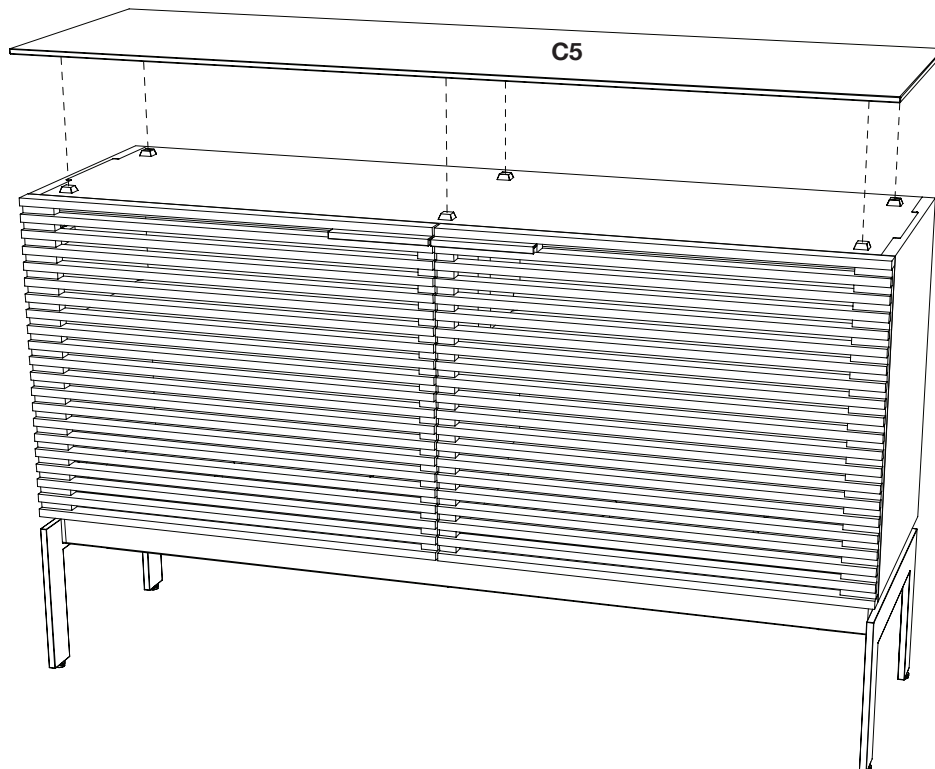
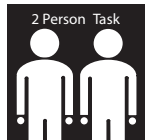
Step 3 With help from another person, carefully position the **cabinet A1** upside-down (as shown) or on its back. **Caution**-do not remove blocking above the shelves. Attach the **base** to the **cabinet** with **6 Screws H2** using **Hex Wrench T2**. Do **NOT** fully tighten until all screws are started.



Step 4 - With help from another person, carefully position the cabinet upright and install **Door Pulls H5** using **Screws H3** and **Screwdriver T1**. Adhere **Rubber Bumpers H4** about 1 inch (25mm) from edges of the cabinet as shown below.



Step 5 - Place **glass top C5** on top of the cabinet. Position glass flush with cabinet front doors.

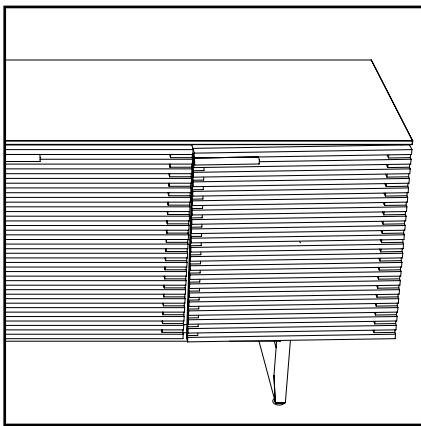


Fine tuning your new BDI Corridor Home Theater Furniture

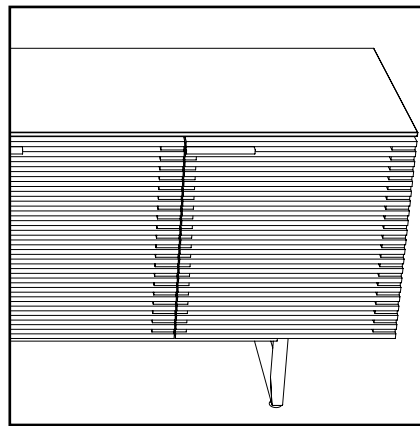
These steps are to be followed after you have unpacked and completed the simple assembly instructions for your Corridor AV cabinet. Due to jostling in freight or perhaps an uneven floor, the doors on your Corridor cabinet may not appear to be in perfect alignment. Making a few minor adjustments can rectify this situation. Be aware that depending on your situation, patience and a bit of trial and error are required. The high-quality European hinge hardware is infinitely adjustable, but changing one element can cause the need for further adjustments. Through a little adjustment, you can modify the orientation of the cabinet doors to make sure that they are sitting perfectly on your Corridor unit.

STEP 1 - Level your Corridor unit

Levelers are integrated into each leg assembly and are accessed at the bottom of each cabinet leg using **Hex Wrench (B2)**. If your floor is uneven, you may extend one or more levelers to attain a level, stable cabinet placement. Turning the leveler clockwise will extend the leveler; turning it counter-clockwise will retract it.



INCORRECT! Door is out of alignment with the rest of the unit.

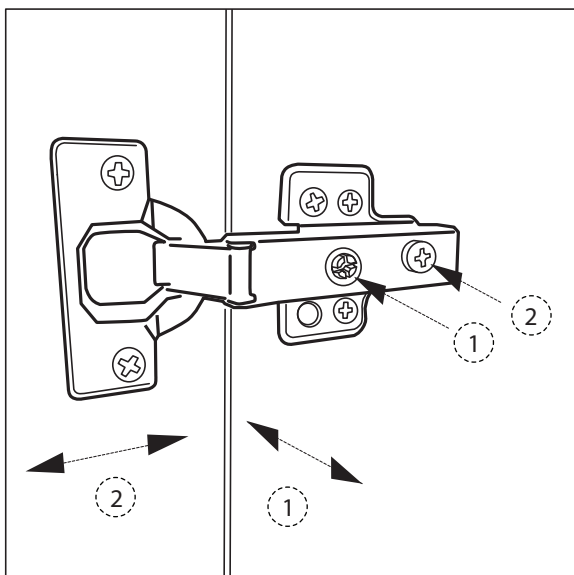


CORRECT! Door is sitting squarely and evenly spaced on tops and sides.

STEP 2 - Adjust Door Hinges (if needed)

The doors on your cabinet should be evenly spaced and the doors should open and close freely without rubbing against the door frame.

If the cabinet's doors appear out of alignment, this condition can be corrected with minor adjustment to the European hinges on each door.



Because these hinges are infinitely adjustable, adjusting one hinge element can sometimes cause the need for adjustments to other elements. But with a few adjustments, you can modify the orientation of the cabinet doors to make sure that they hang perfectly within your cabinet.

Use the **Phillips Screwdriver (A)** supplied to adjust Corridor's door hinges:

- By adjusting **Screw 1**, the door will move LEFT or RIGHT within the frame. Make minor adjustments at both top and bottom hinges for best results.
- By adjusting **Screw 2** the entire door will move IN or OUT, opening or closing the gap between the door frame and cabinet. (This screw rarely needs adjustment.)